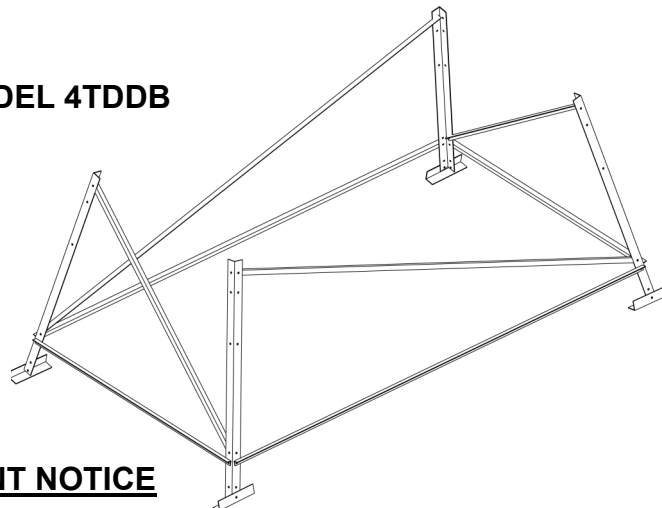


MODEL 4TDDB FOR THE 4'x8' DOUBLE BLIND

PARTS LIST FOR 4 FT. TOWER / DOUBLE BLIND

Quantity	Part Name	Description
4	4 T L	2" Angle Legs
2	N 4	1" Angle Horizontal Braces (End)
2	N S 4	1" Angle Horizontal Braces (Side)
2	O 4	1" Angle Diagonal Braces (End)
2	O S 4	1" Angle Diagonal Braces (Side)
4	J	Feet
2	P	3/4" Angle Ladder Runners
3	Q	3/4" Angle Ladder Rungs
1	U	Hand Bar
10	Bolt	1/4" x 3/4" Bolt
10	Lock Washer	1/4" Split Lock Washer
10	Nut	1/4" Hex Nut
36	Bolt	5/16" x 3/4" Bolt
36	Lock Washer	5/16" Split Lock Washer
36	Nut	5/16" Hex Nut
2	U Bolt	5/16" "U" Bolts w/Hardware to Secure Ladder to Tower Braces

MODEL 4TDDB



IMPORTANT NOTICE

User is responsible for proper assembly, setup & anchoring

MODEL 4TDDDB FOR THE 4'x8' DOUBLE BLIND

ASSEMBLY INSTRUCTIONS FOR THE 4 FT. TOWER / DOUBLE BLIND

Notes: Install split lock washers under nuts. Do not tighten any bolts in the Tower assembly until all bolts are installed.

Step 1: Attach the (4TL) Legs to the Blind Assembly. (Figure 1)

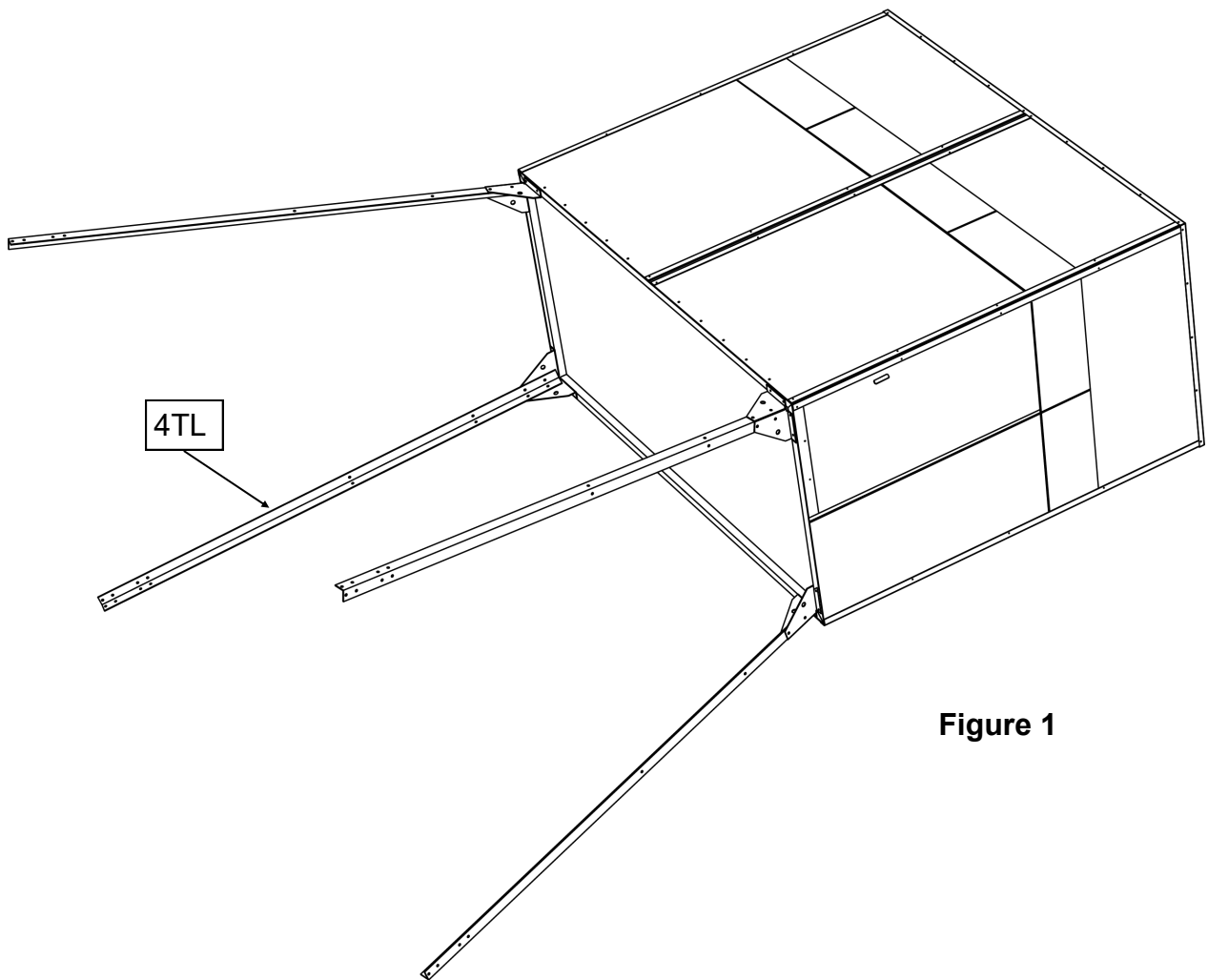


Figure 1

Step 2: Install the **Horizontal Bracing** for support. (*Figure 2*)

Step 3: Install the **Diagonal Bracing** as shown. (*Figure 3*)

Step 4: Attach the **(J) Feet** (*Figure 3*)

Step 5: Tighten all bolts/nuts securely.

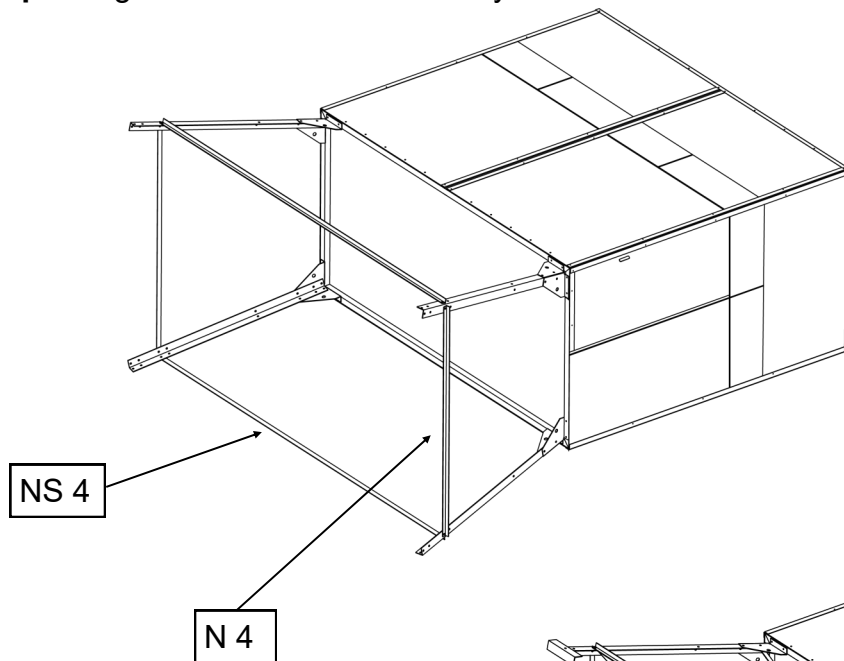


Figure 2

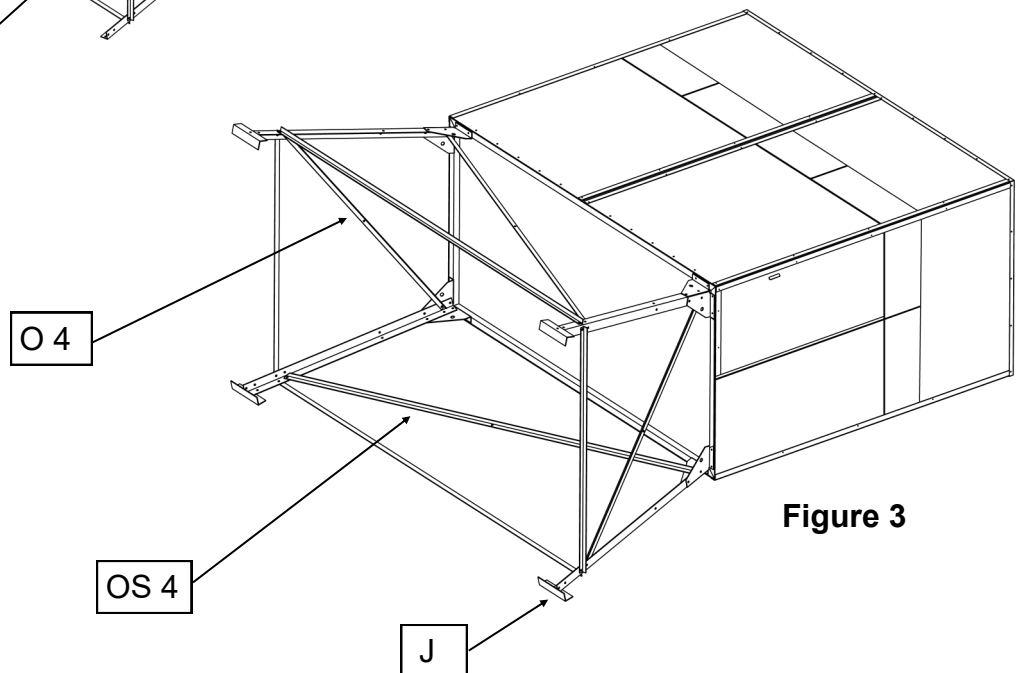
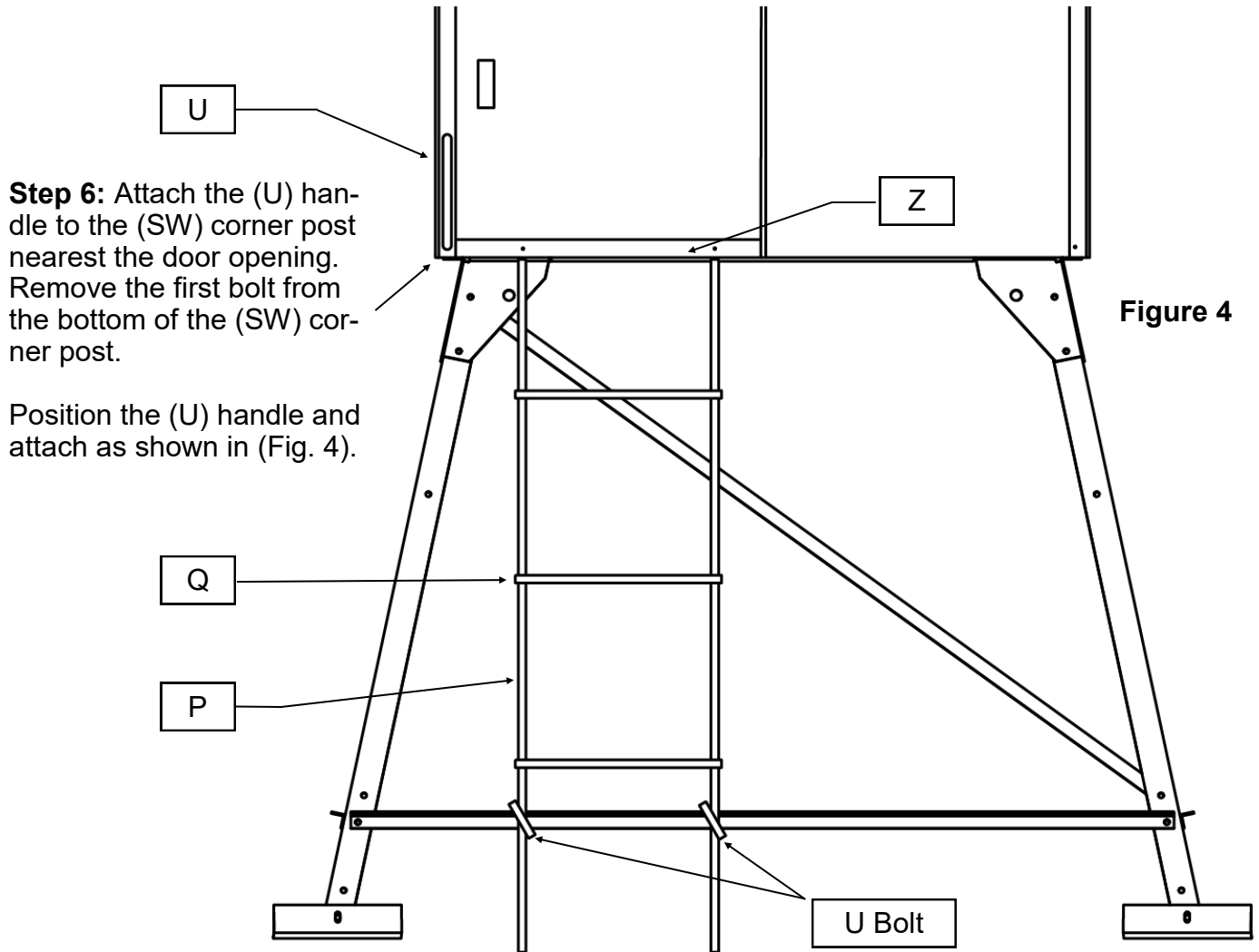


Figure 3



Step 6: Attach the (U) handle to the (SW) corner post nearest the door opening. Remove the first bolt from the bottom of the (SW) corner post.

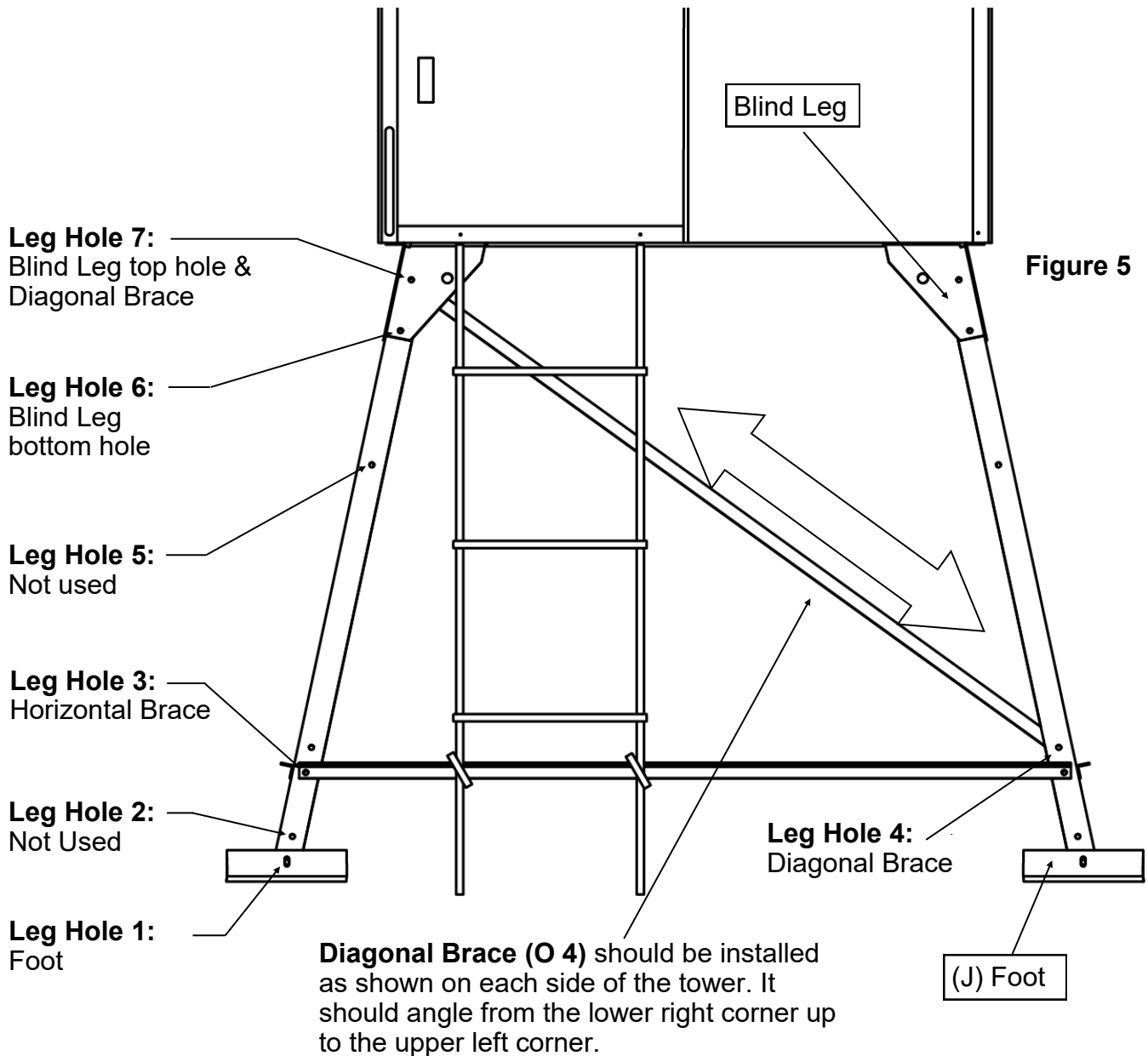
Position the (U) handle and attach as shown in (Fig. 4).

Step 7: Assemble & install the ladder using 1/4" hardware and U-bolts as pictured.

Attach top two holes in ladder runners using existing bolts used to attach the "Z" plate, underneath the blind (opposite the "Z" and behind the angle iron supporting the floor). (Fig. 4).

Step 8: Tighten all bolts/nuts securely.

PART ORIENTATION QUICK REFERENCE



IMPORTANT: After placing the blind/tower into position, it must be anchored.

BLIND TIE-DOWN INSTRUCTIONS

IMPORTANT! Please protect your investment by properly anchoring your blind.

Use a steel ground anchor system with a minimum of 1,000 lb. rated cable and turnbuckle to secure your blind. Only use anchoring equipment that is weather and corrosion resistant. Make sure the blind is level before anchoring it to the ground. Ground blind models use one center steel ground anchor cabled to the four legs. **Note: Installation of the anchors, as explained in Steps 1-5 below, should be done prior to standing the blind up.**

1. Dig four holes, one just outside each tower leg 30 inches deep with a 6 inch diameter. For best results use a post-hole digger to provide a deep, narrow hole.
2. Insert the steel ground anchor in the center of each hole with the auger end positioned at the bottom of the hole. **Note:** The eye at the top of the ground anchor should be approximately 3 inches above the surface of the ground.
3. Fill each hole with concrete.
4. Straighten ground anchors to ensure that they are completely surrounded by concrete.
5. Let dry overnight.
6. Attach the turnbuckle to the eye at the end of each ground anchor. At the opposite end of the turnbuckle, loop the cable through the eye of the turnbuckle, and secure with double cable clamps. **See Figure 1.**
7. Run one cable from each turnbuckle eye to the opposite upper corner of the tower and loop the cable twice through the pre-drilled holes on the 7 inch legs. Secure with double cable clamps. The cables should criss-cross. **See Figure 2.**
8. Adjust the turnbuckles to remove slack from cables.

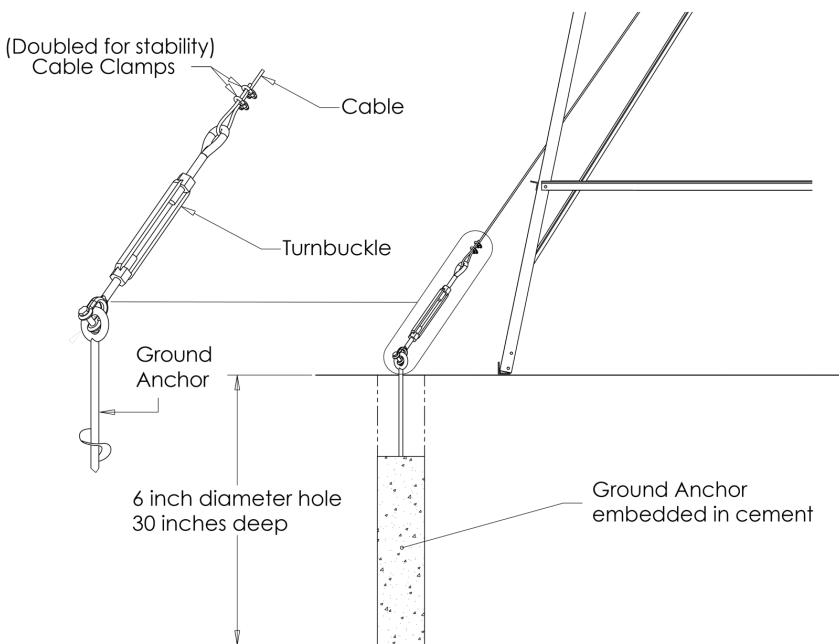


Figure 1

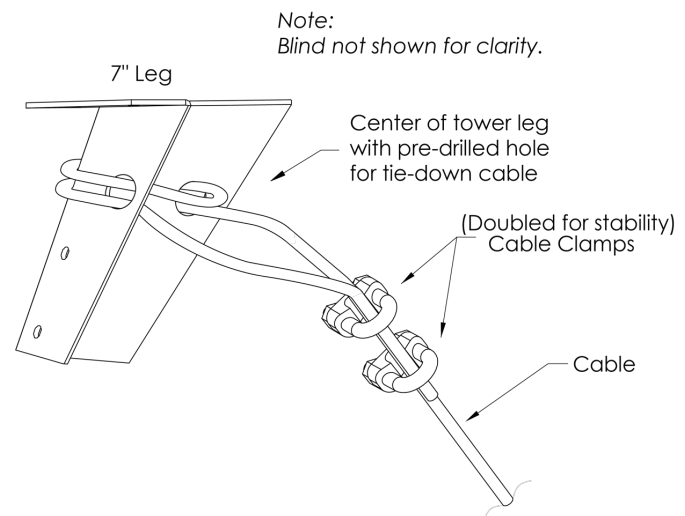


Figure 2



DANGER! Do not use blind in high wind conditions.



Thank you for choosing Texas Hunter Products. Questions? Call us at 800.969.3337

www.TexasHunter.com